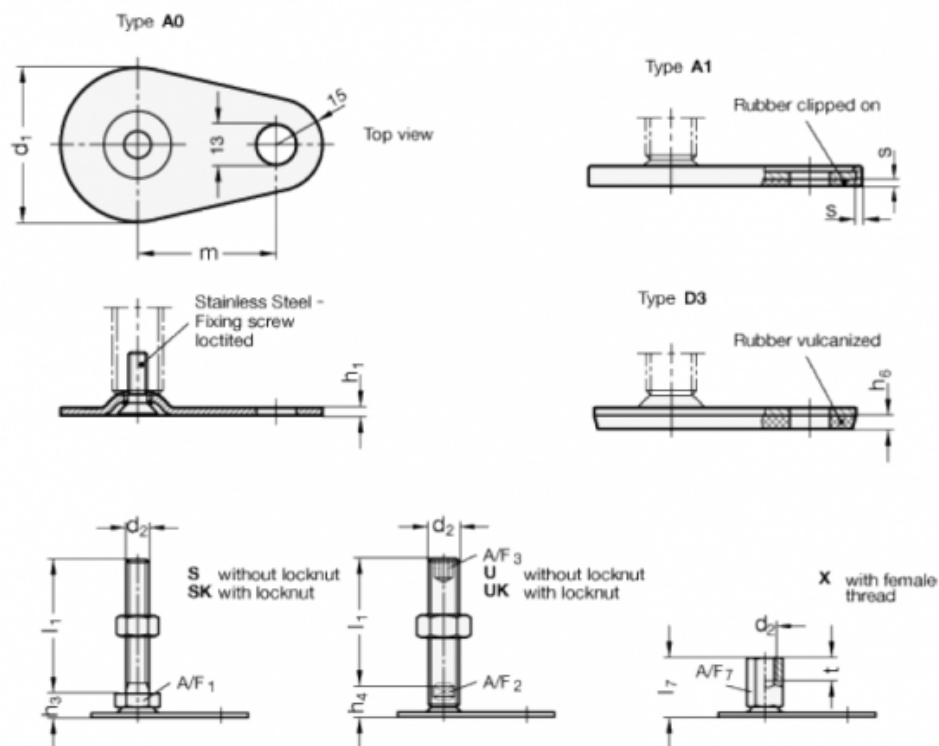


Data Sheet



Article number: 204250M1637A1X
Description: E+G levelling foot
GN 42-50-M16-37-A1-X
Note: X With female thread, External hexagon

Measures



$$A/F7 = 22$$

$$d1 = 50$$

$$d2 = M16$$

$$h1 = 2.5$$

$$h6 =$$

$$l7 = 37$$

$$m = 45$$

$$s = 2$$

$$t = 16$$